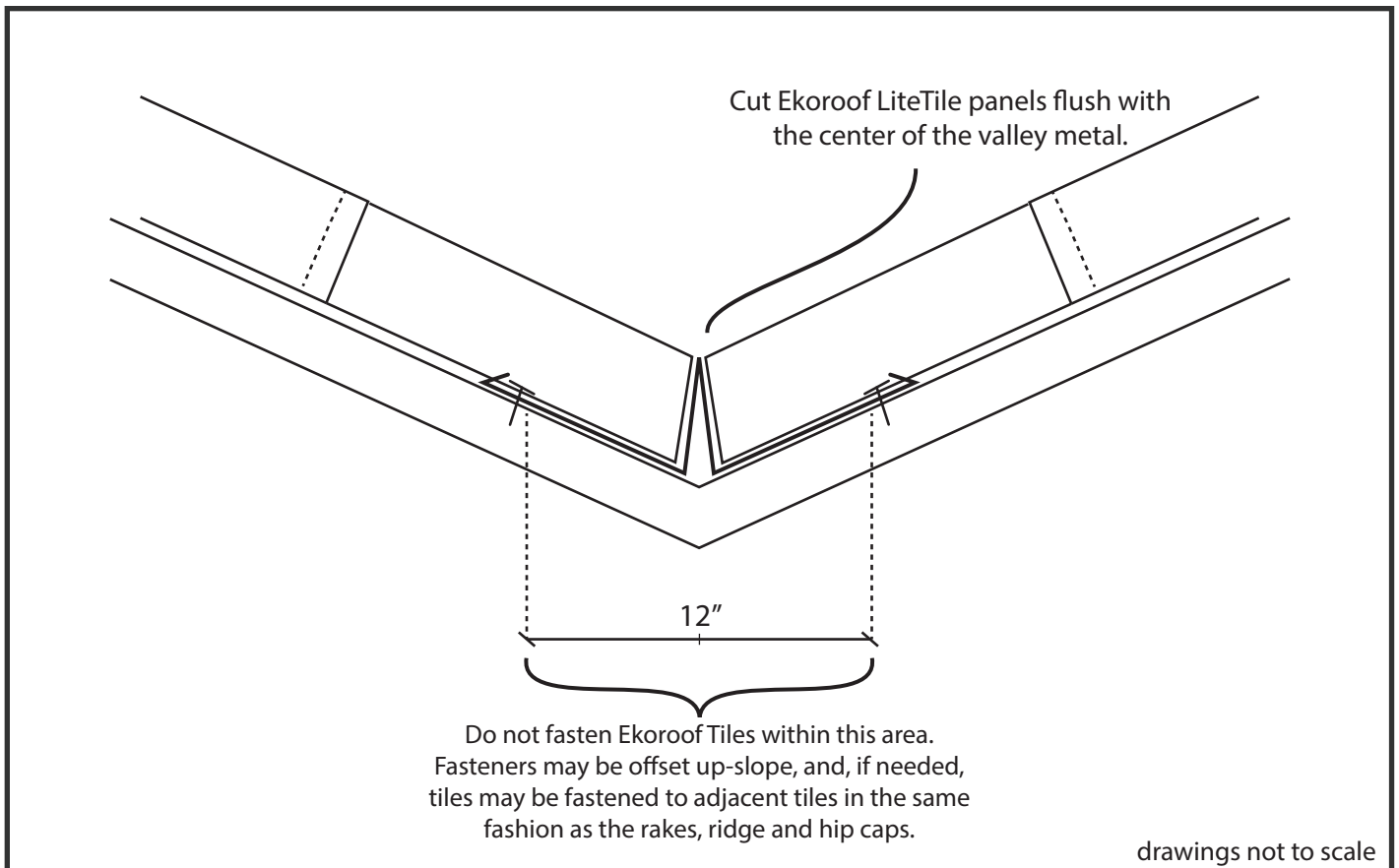
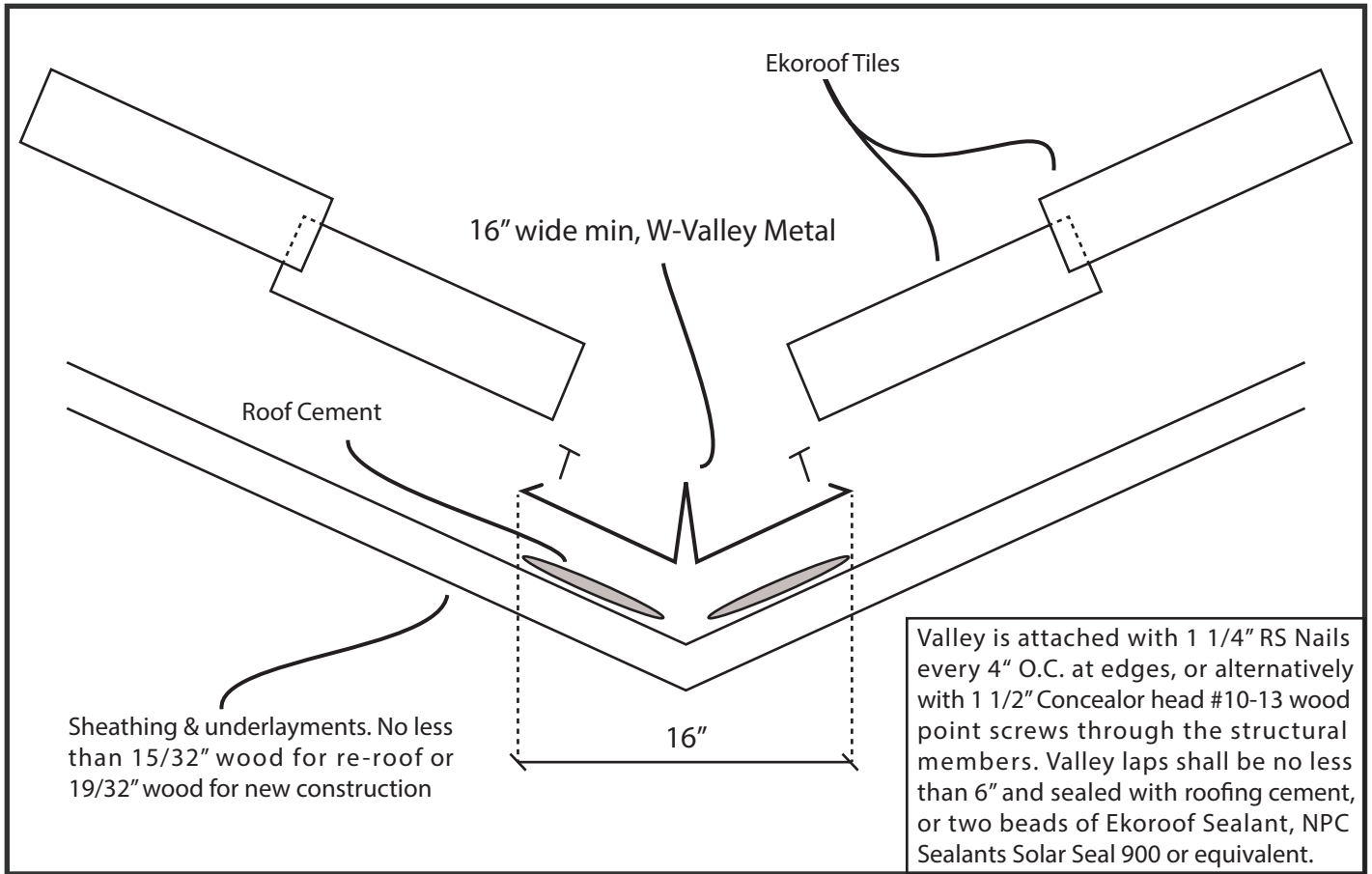


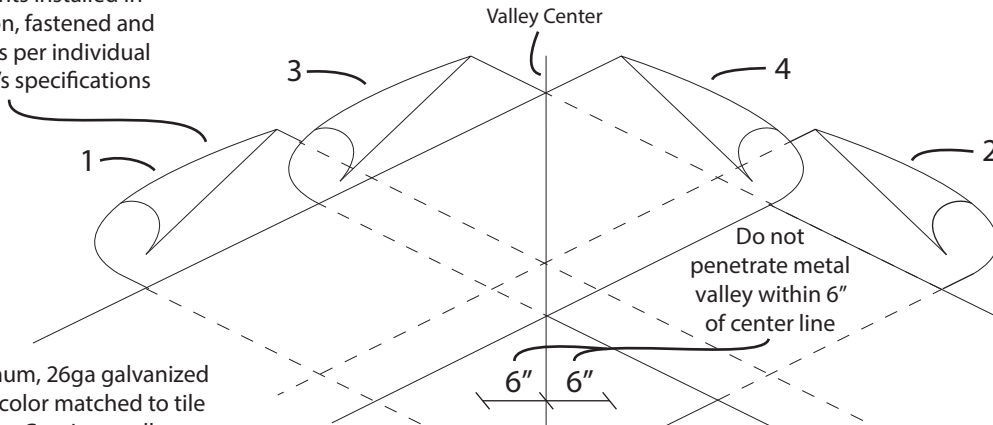
Ekorooftile Valley Detail



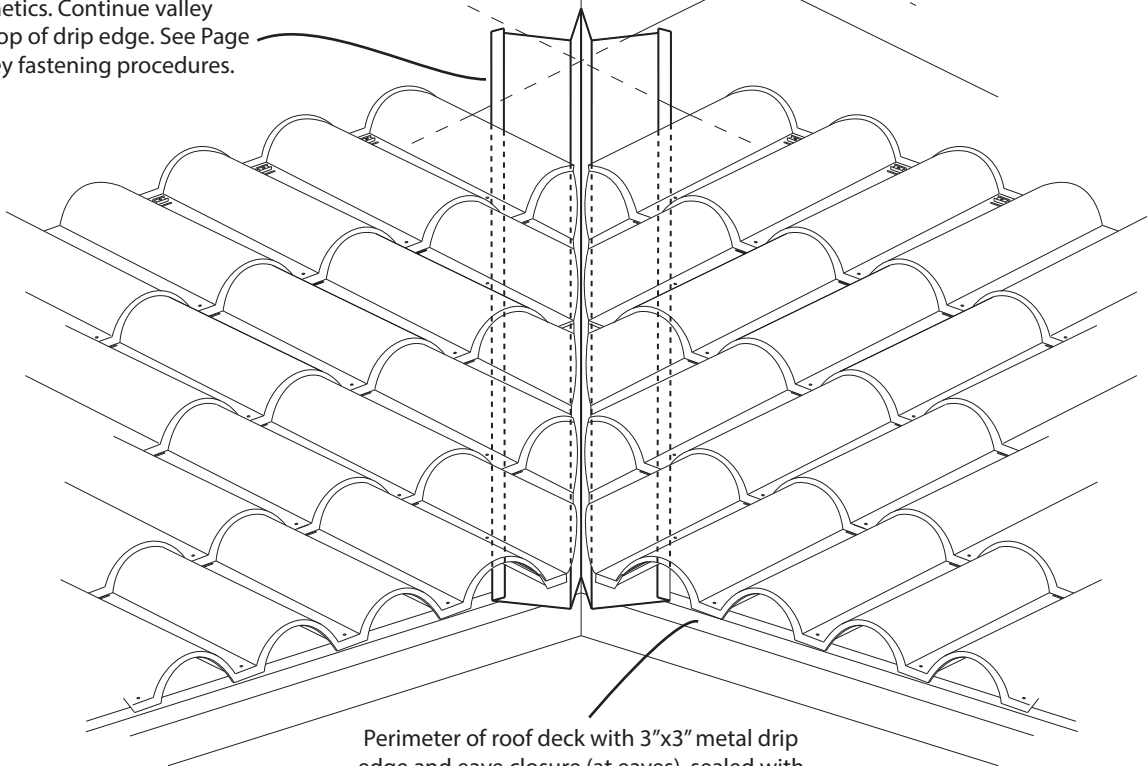
Ekorooftile Valley Detail Continued

Minimum underlayment allowed for installation of Ekorooftile is one ply of ASTM D-226 Type II. It is recommended, but not required, that when installing Ekorooftile with only this minimum, an additional 36" wide, continuous layer of underlayment (ASTM D-226 Type II or Self-Adhered ASTM D-1970) be applied over the first ply of ASTM D-226 Type II, and under the valley metal, running the length of the valley. The same recommendation is made for the hips.

Underlayments installed in shingle fashion, fastened and overlapped as per individual manufacturer's specifications



16" wide minimum, 26ga galvanized steel W-Valley, color matched to tile for aesthetics. Continue valley flashing to top of drip edge. See Page 18 for valley fastening procedures.

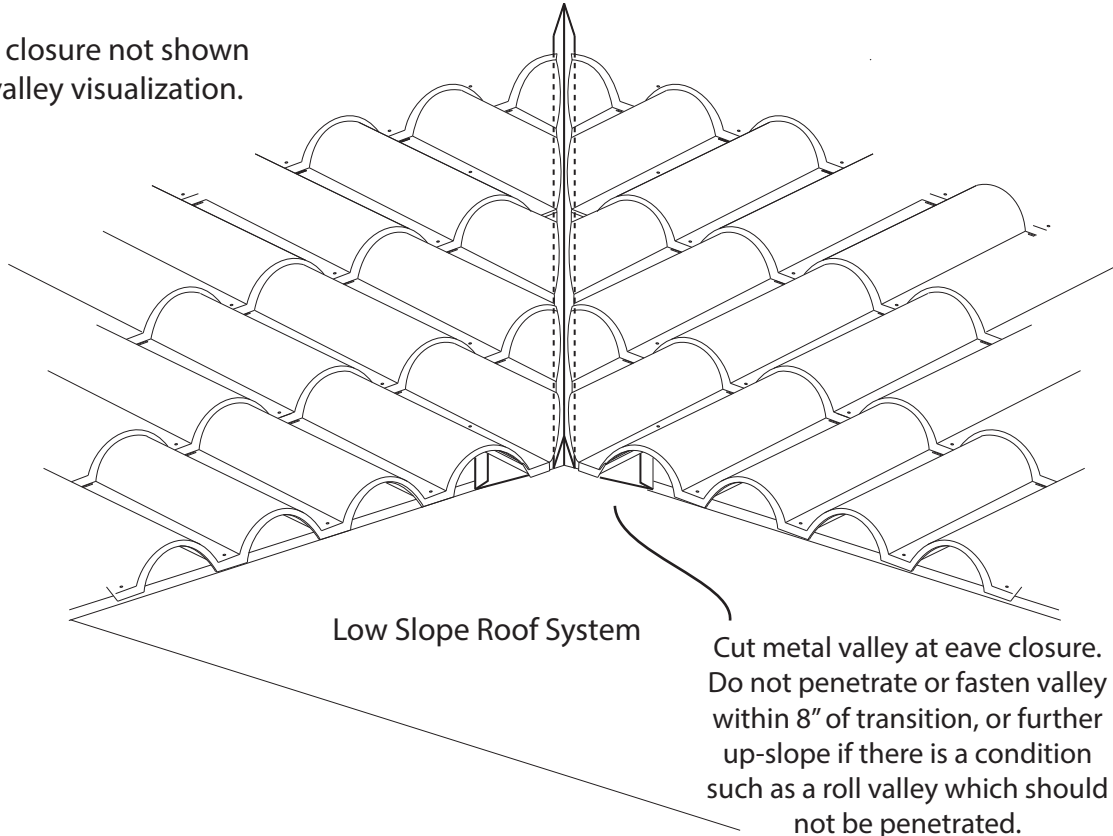


Perimeter of roof deck with 3"x3" metal drip edge and eave closure (at eaves), sealed with roofing cement and nailed every 6" O.C. Eave closure not shown for valley visualization.

drawings not to scale

Ekorooftile Valley Detail Continued

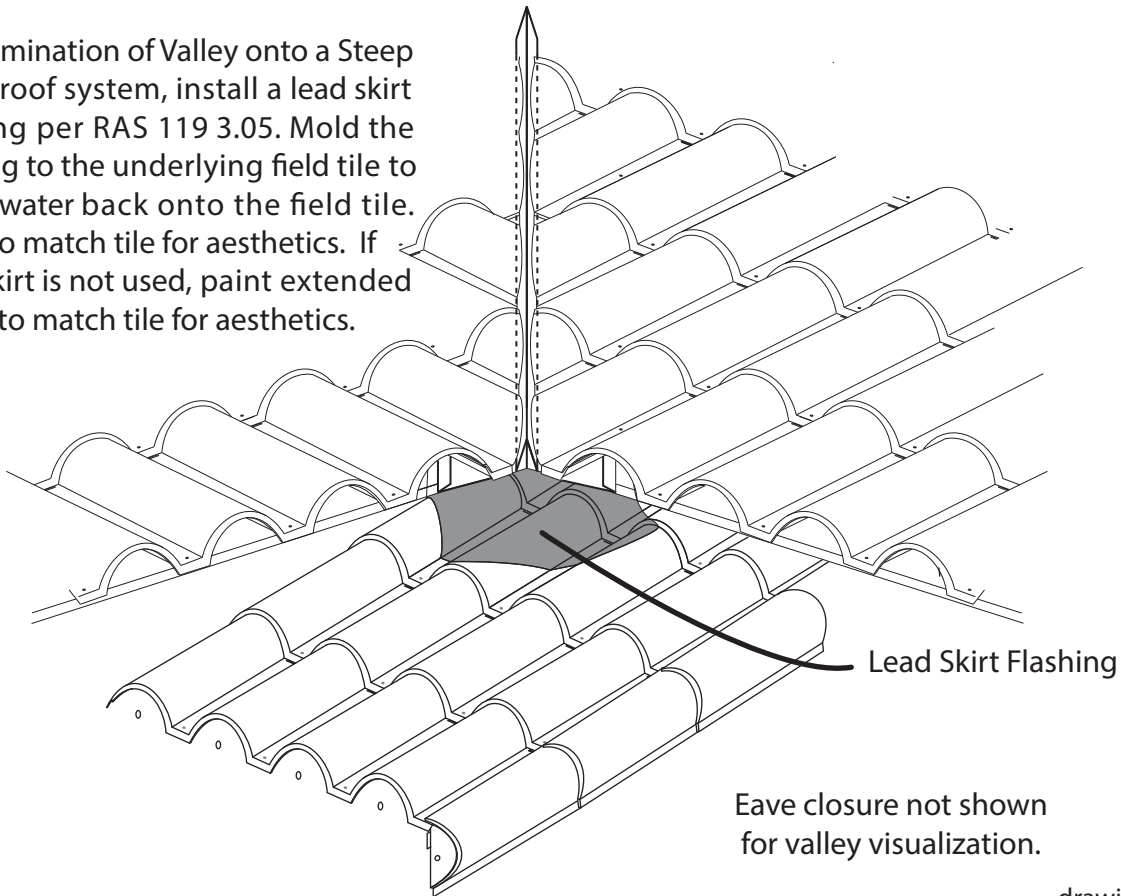
Eave closure not shown for valley visualization.



Low Slope Roof System

Cut metal valley at eave closure. Do not penetrate or fasten valley within 8" of transition, or further up-slope if there is a condition such as a roll valley which should not be penetrated.

For termination of Valley onto a Steep Slope roof system, install a lead skirt flashing per RAS 119 3.05. Mold the flashing to the underlying field tile to divert water back onto the field tile. Paint to match tile for aesthetics. If lead skirt is not used, paint extended valley to match tile for aesthetics.



Lead Skirt Flashing

Eave closure not shown for valley visualization.

drawings not to scale